

STONE PICKERS

SCORPIO 430

SCORPIO 550

SCORPIO 550 SF

SCORPIO 710



ELHO - MADE IN FINLAND



Our ancestors have fought with stones for centuries, and to this day we are still fighting! Stones in the field can incur huge costs each year by causing damage to harvesting machines. Costs are generated not only by the necessary repairs, but also in terms of lost working hours. Harvesting can be delayed by up to a week or more, depending on the extent of the damage to the harvester or mower.



The **ELHO Scorpio 430** is the smallest Scorpio model. The Scorpio 430 features all the proven features of the Scorpio range in a more compact package. The Scorpio 430 is a cost-effective and agile model that can be used even with smaller tractors.



The **ELHO Scorpio 550** stone picker is equipped with unique solutions that make it easy to remove stones from fields, including hydraulic drive, automatic working depth adjustment, sturdy Hardox tines with rubber bushings, and a 2 m³ hopper.



ISOBUS

ISOBUS

The **ELHO Scorpio 550 (SideFlow)** stone picker features a conveyor system that transports the material out of the machine, enabling stones to be loaded directly into a trailer. This method increases productivity significantly. The Scorpio 550 SF is ideal for large field areas where it would be inefficient for the pulling tractor to unload the hopper by itself.

The **ELHO Scorpio 710** is the big brother to the popular ELHO Scorpio 550 stone picker and has a working width almost two metres wider than the smaller model. The wider pick-up rotors significantly increase productivity. For large fields, the Scorpio 710 is the right choice for removing stones.

ELHO stone pickers	2
Benefits and features of ELHO stone pickers	4
ELHO stone pickers	
Scorpio 430	6
Scorpio 550	8
Scorpio 550 SF	10
Scorpio 710	12
Technical specifications	14
Buyer's guide to stone pickers	15

BENEFITS AND FEATURES OF ELHO STONE PICKERS



AUTOMATIC WORKING DEPTH ADJUSTMENT

Automatic working depth adjustment is an ingenious feature on Scorpio stone pickers that makes the operator's work easy. Automatic working depth adjustment is based on the rotational resistance of the lifting tines and the feed rotor. The machine always tries to maintain the set working pressure, and when the rotational resistance increases, the machine automatically rises. Similarly, when the rotational resistance decreases, the machine automatically lowers, so that the set working pressure remains unchanged.



LARGE FEED ROTOR

Scorpio stone pickers have the largest feed rotor. With a diameter of 1.8 metres, the feed rotor collects even large stones and stumps.



STRONG TINES

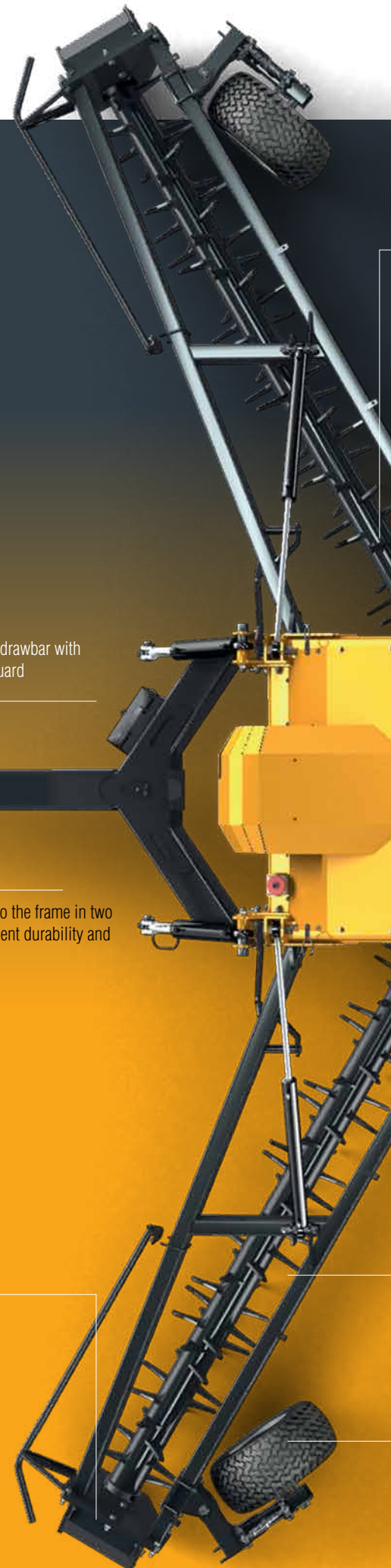
The Hardox 500 tines on the feed rotor ensure the highest levels of quality and durability. The tines are designed and manufactured to cope with even the toughest conditions.

Telescopic drawbar with collision guard



The sturdy drawbar is attached to the frame in two locations, which provides excellent durability and visibility to the feed rotor.

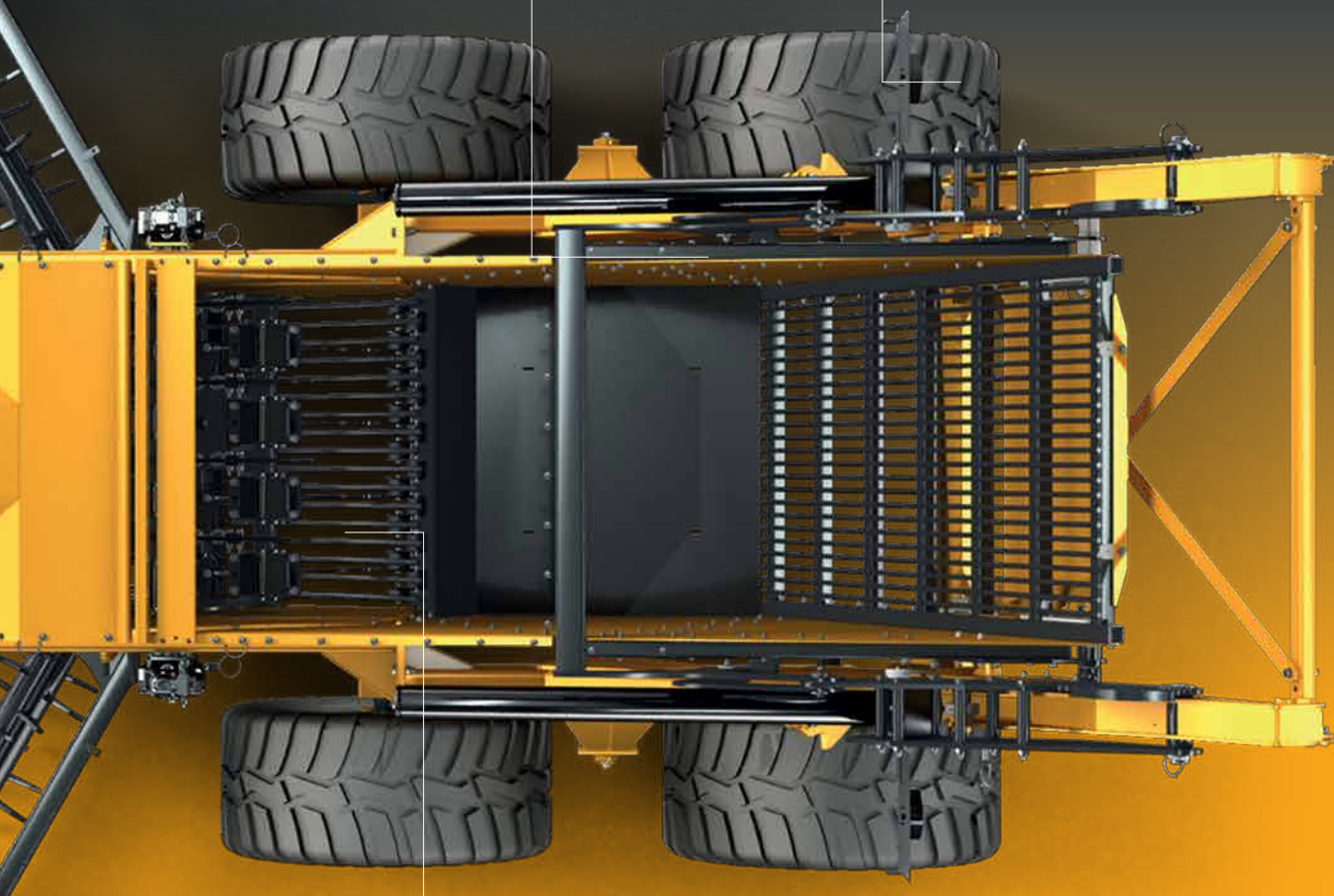
Hydraulic drive



Feed rotor and lifting tines can be reversed

Sturdy support structure bolted throughout, making replacements easy

Large 560/60 R22.5 bogie wheels



Durable tines made of Hardox 500 Tuf steel

Each steel bar in the sieve can be individually replaced. Sieve steel bars made of Hardox and Imacro M steel.



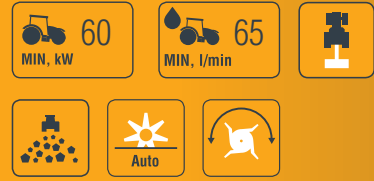
Large rake wheels that turn with the machine and are easily adjustable

SCORPIO 430

A compact and
cost-effective stone picker

The Scorpio 430 is ELHO's newest stone picker model that features all the proven features of the Scorpio range in a more compact package. The new Scorpio 430 is a cost-effective and agile model that can be used even with smaller tractors. The narrower working width means the machine follows the surface extremely precisely, also on uneven and challenging fields.

ELHO Scorpio stone pickers have earned an excellent reputation around the world. The hydraulic drive is flexible and reliable, and it can also operate in reverse. The tines are made from sturdy Hardox 500 steel and are more durable than traditional steel spring tines. The feed rotor rotates at 80 r/min, while the tines rotate at 125 r/min. All the hopper components are bolted and easily replaceable.



The working width of the new model is 4.3 metres, but otherwise it shares the same basic features with the bigger models. Automatic working depth adjustment and other advanced features are available as an option on the new, smaller model.

The Scorpio 430 can also be used with smaller and older tractors compared to larger models. The Scorpio 430 needs only 65 l/min of hydraulic flow from the tractor. Four hydraulic blocks are recommended, but three are also sufficient by combining two of the functions. The new Scorpio 430 has a single axle, while larger Scorpio models have a bogey axle.

The Scorpio 430 is ideal for contractors, farmers and cooperatives. This more affordable and thinner model is also suitable for smaller fields and tractors.

The new model **can pick stones between 25 and 400 millimetres in size**. The driving speed is 1–7 km/h and the working depth 0–7 centimetres. The hopper capacity is 1.5–2.0 cubic metres and the tipping height 2.4 metres, making it possible to empty the hopper directly into a trailer.

Picking stones, stumps and other debris from fields makes subsequent field tasks **more efficient and prevents damage** to harvesting machines, for example.



Tipping height 2.4 metres

Large hopper capacity of 1.5-2 m³

Optional automatic working depth adjustment according to rotation resistance

Towing eye bolted to the drawbar



Screen / ground blade

- Each steel bar in the screen can be individually replaced
- Easy to change screen size
- Every other screen steel bar can be removed
 - the distance between the screen bars can be 30, 40, 100 or 110 mm
- Every other screen steel bar is elevated
- Rubber bushings at rear attachment points allow screen steel bars to flex laterally
- Ground blade made of Hardox steel
- Screen steel bars made of Hardox and Imacro M steel



STANDARD EQUIPMENT

- Hydraulic drive
- Durable Hardox tines



OPTIONAL EQUIPMENT – Check availability, may vary regionally

- Rake wheels
- Automatic working depth adjustment
- Screen for smaller stones
- Towing eye K80



Read more



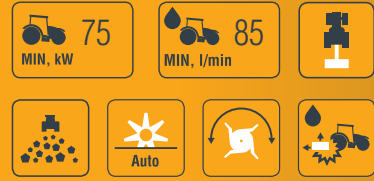
Watch video

SCORPIO 550

The simple way to remove stones

Picking stones is tough work. Whether you are a farmer or contractor, stone picking has to be timed in between other tasks – usually before ploughing or after harvesting.

The ELHO Scorpio 550 stone picker is equipped with unique solutions that make it simple to remove stones from fields.



One of the key features of the Scorpio 550 is **fully hydraulic drive**. The hydraulic flow is 85 litres/minute, which is achieved with 110-150 bar. The hydraulic drive is designed for use with a tractor's normal dual-function hydraulic coupling and a nominal pump size of 110 l/min. The maximum continuous use is 24 kW, and the tractor's own cooler keeps the oil temperature optimal. The feed rotor and lifting tines can be reversed in case of blockage.

Automatic working depth adjustment enables the machine to follow the surface of the ground with a constant working pressure. This makes it easy and pleasant to operate the machine, even in extremely dusty conditions.

The hydraulic system can temporarily increase pressure to the second pick-up motor when needed, and the lifting force at the end of the tines is 700 kg.

Sturdy Hardox 500 tines can rotate at higher speeds than traditional steel spring tines. The higher rotation speed improves screening and soil removal, and it also breaks up organic materials better. The diameter of the picker is 1.8 metres and rotates at 80 r/min, while the tines rotate at 125 r/min.

The Hardox 500 tines have **rubber bushings**, allowing the sieve steel bars to flex laterally. All of the tines flex backwards and lift out of the sieve to prevent blockages. The maximum tine flex is 210 mm.



Tipping height 2.7 metres

Large hopper capacity of 1.5-2 m³

Automatic working depth adjustment according to rotation resistance

Towing eye bolted to the drawbar

Telescopic drawbar with collision protection



Screen / ground blade

- Each steel bar in the screen can be individually replaced
- Easy to change screen size
- Every other screen steel bar can be removed – the distance between the screen bars can be 30, 40, 100 or 110 mm
- Every other screen steel bar is elevated
- Rubber bushings at rear attachment points allow screen steel bars to flex laterally
- Ground blade made of Hardox steel
- Screen steel bars made of Hardox and Imacro M steel

✓ STANDARD EQUIPMENT

- Hydraulic drive
- Automatic working depth adjustment
- Durable Hardox tines

+ OPTIONAL EQUIPMENT – Check availability, may vary regionally

- Hydraulic unit
- Screen for smaller stones
- Towing eye K80



Read more



Watch video

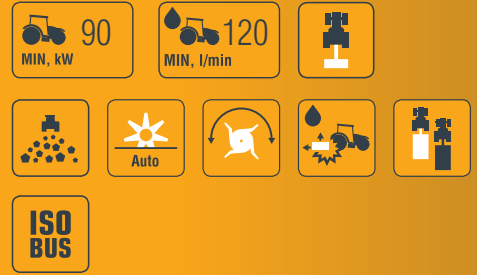
SCORPIO 550 SF

Conveyors load stones
directly into the trailer

The ELHO Scorpio 550 SF (SideFlow) stone picker features a conveyor system that transports the material out of the machine, enabling stones to be loaded directly into a trailer.

The productive Scorpio 550SF takes stone picking to a new level. The conveyor system makes it possible to collect stones without stopping. The height of the side conveyor enables even larger trailers to fit underneath.

When pulled by a tractor with ISOBUS compatibility, the stone picker can be operated from the tractor's own display. Alternatively, ELHO supplies its own ISOBUS display and cable set that makes it easy to control and adjust the stone picker.



The centre conveyor has a very sturdy structure and lifts stones from the ground. The kinetic energy of the stones is dissipated before arriving at the side conveyor, which has a lighter structure and is equipped with spring steel rods and a rubber mat. Both conveyors effectively sieve dirt off the stones.

The conveyors can be stopped temporarily, for example in the headland, to avoid an obstacle or when switching trailers. The rake tines continue to collect stones all the time onto the centre conveyor, which provides temporary storage before the conveyors are reactivated.

The Scorpio 550 SF is ideal for large field areas where it would be inefficient for the pulling tractor to unload the hopper by itself.



Trailers up to 2.7 m fits under the conveyor in all situations

Side conveyor loads stones directly into the trailer

ISOBUS CONTROL

Telescopic drawbar with collision protection

Stepless adjustment of the rotation speed of the feed rotor and lifting tines

Automatic reversal of the feed rotor and lifting tines



Screen / ground blade

- Each steel bar in the screen can be individually replaced
- Every other screen steel bar is elevated
- The distance between the screen bars is 35 mm
- Rubber bushings at rear attachment points allow screen steel bars to flex laterally
- Ground blade made of Hardox steel
- Screen steel bars made of Hardox and Imacro M steel



STANDARD EQUIPMENT

- Hydraulic drive
- Automatic working depth adjustment
- Durable Hardox tines



OPTIONAL EQUIPMENT – Check availability, may vary regionally

- Hydraulic unit
- Towing eye K80
- ISOBUS unit



Read more



Watch video

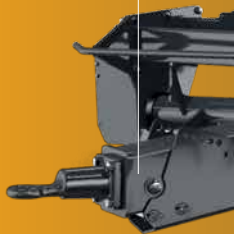
SCORPIO 710

A 7-metre stone picker
for even higher productivity

The popular ELHO Scorpio 550 stone picker now has a big brother! The Scorpio 710 has a working width almost two metres wider than the smaller model. The wider feed rotors significantly increase productivity.

When pulled by a tractor with ISOBUS compatibility, the stone picker can be operated from the tractor's own display. Alternatively, ELHO supplies its own ISOBUS display and cable set that makes it easy to control and adjust the stone picker.

The new Scorpio 710 model offers the same features and benefits of the Scorpio 550. The wide working width, electronic hydraulics and adjustable screen make this stone picker even more user friendly.



The Scorpio 710 features an electronically controlled valve block that can be used with a tractor that has LS hydraulics or with an optional hydraulic unit. Load-sensing hydraulics make tipping the hopper even faster.

The large stone picker is simple to operate from the cab of the tractor. The ISOBUS control unit enables precise adjustments to the working depth and rotation speed.

The screen size can be adjusted hydraulically during operation by varying the distance between the screen bars.

The new feed rotors are even more effective at screening soil. The spiral pattern on the inner tines removes the soil to the side while still lifting stones to the centre. The outer metre of the pick-up rotors has a traditional spiral pattern to ensure that stones at the edges are collected to the middle of the machine.



Tipping height 2.7 metres

Quick emptying of the hopper

ISOBUS control

Telescopic drawbar
with collision protection

Stepless adjustment of the rotation speed
of the feed rotor and lifting tines

Automatic reversal of the feed rotor and lifting tines



Lifting tines

The new arrangement of the tines is designed to direct stones to the ground blade more effectively while directing other soil outwards.



Adjustable screen / ground blade

- Hydraulically adjustable screen size from 30-60 mm
- Each steel bar in the screen can be individually replaced
- Every other screen steel bar is elevated
- Ground blade made of Hardox steel
- Screen steel bars made of Hardox and Imacro M steel



STANDARD EQUIPMENT

- Hydraulic drive
- Automatic working depth adjustment
- Durable Hardox tines



OPTIONAL EQUIPMENT – Check availability, may vary regionally

- Towing eye K80
- ISOBUS unit



Read more



Watch video



TECHNICAL SPECIFICATIONS STONE PICKERS



	Scorpio 430	Scorpio 550	Scorpio 550 SF	Scorpio 710
Tractor power requirement, min/max, kW *)	60-120	75-140	90-160	90-160
Min. recommended tractor hydraulic pump size, l/min	70	110	160	130
Hydraulic flow max, l/min	65	85	120	110
Hydraulic coupling, single action	1	1	1	1
Hydraulic coupling, double action	3	3	1	1
LS hydraulics			X	X
Working width, m	4,3	5,5	5,5	7,1
Stone size, mm	25-400	25-400	25-400	25-400
Hopper capacity, m³	1,5-2	1,5-2		1,5-2
Tipping height, m	2,4	2,7	2,7	2,7
Working depth, cm	0-7	0-7	0-7	0-7
Driving speed, km/h	1...7	1...7	1...7	1...7
Pick-up lifting tines, pcs	16	16	16	16
Pick-up tine lifting force, kg	320	400	400	400
Pick-up tine flex up from screen, mm	210	210	210	210
Screen size, mm	30/40/100/110	30/40/100/110	35	30-60 (stepless)
Wheels	560/60-22,5	560/60-22,5	560/60-22,5	560/60-22,5
Bogie wheels		X	X	X
Rake wheels	26x12.00-12**	26x12.00-12	26x12.00-12	26x12.00-12
Weight, kg	5800	6800	9500	7200
Weight without brakes, kg	5600	6600	9500	7000
Length, m	7,2	7,2	8,4	7,2
Width, m	3	3	3	3
Height, m	2,8	3	3	4,1

*) The recommended tractor size depends on the conditions
Additional equipment: www.elho.fi

BUYER'S GUIDE TO STONE PICKERS

When investing in a stone picker, it pays to compare features and performance. Listed below are the key features that you should compare and consider. We want you to find the best possible solution for your specific needs.

FEATURE	Scorpio 430	Scorpio 550	Scorpio 550 SF	Scorpio 710	Alternative
Hydraulic drive	•	•	•	•	
Friction clutch, V-belts, PTO shaft or break bolt					
Reversible feed rotor and lifting tines	•	•	•	•	
Telescopic drawbar with collision guard		•	•	•	
Automatic working depth adjustment	o	•	•	•	
Excellent visibility to feed rotor inlet	•	•	•	•	
Durable Hardox tines	•	•	•	•	
Aggressive lifting tines for better soil separation	•	•	•	•	
Welded tines on rotor shaft for optimal distribution	•	•	•	•	
Triangular pick-up rotors with large weld seams for optimal lifting of stones	•	•	•	•	
Large and open frame construction of pick-up rotors	•	•	•	•	
Durable and protected rotor bearings	•	•	•	•	
Lifting force of pick-up rotors at least 700 kg		•	•	•	
Large adjustable rake wheels	o	•	•	•	
Bolt construction, easy to replace wear parts	•	•	•	•	
Large bogie wheels		•	•	•	
Sturdy drawbar between wide attachment points	•	•	•	•	
Bolted towing eye	•	•	•	•	
Hopper capacity max 2 m ³	•	•		•	
Tipping height at least 2.7 m		•	•	•	
Large screen at back of hopper	•	•		•	
Critical hopper parts made of Hardox steel	•	•		•	
Replaceable hopper parts	•	•		•	
Each steel bar in the screen can be individually replaced	•	•	•	•	
Easy to change screen size	•	•		•	
Every other screen steel bar can be removed – the distance between the screen bars can be 30, 40, 100 or 110 mm	•	•			
Screen steel bars flex laterally	•	•	•	•	
Every other screen steel bar is elevated	•	•	•	•	
Screen steel bars made of Hardox and Imacro M steel	•	•	•	•	
Automatic reversal			•	•	
LS hydraulics			•	•	
ISOBUS control			•	•	
Working width 7.1 m				•	
Hydraulically adjustable screen				•	
Loading directly into trailer driven alongside			•		

o = Optional equipment

Your local ELHO dealer

Manufacturer

OY EL-HO AB

Teollisuustie 6

FI-68910 Pännäinen, Finland

Tel. +358 6 7888 000

elho@elho.fi

www.elho.fi